

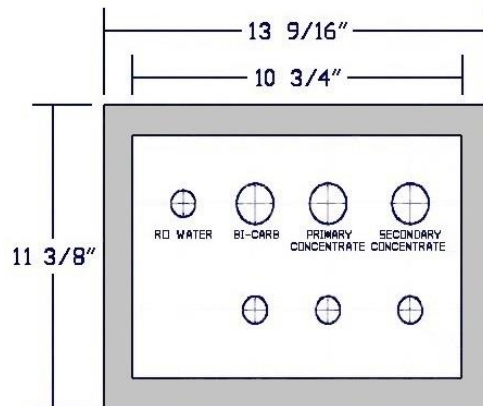


# Floor Valve Boxes

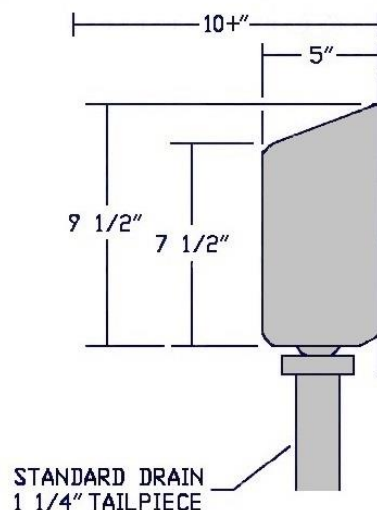
## FLOOR VALVE BOXES



- Easily accessible box to house connections to prevent leakage and corrosion.
- Includes Quick-Connect connections with check-valves, as well as regulators, tubing, fittings, and valves for connection to loops.
- Made of light-weight thermoplastic, which is durable and easily cleaned.
- Custom built for your application and can accommodate 2, 3, and 4 four loops for primary and secondary concentrate, bicarbonate, and pure water.
- Equipped with a drain tail piece for easy drain connection.



FRONT



SIDE

### SOLUTIONS \* SERVICE \* SUPPORT

Better Water LLC; 698 Swan Dr; Smyrna, TN 37167; Phone (615) 355-6063, Fax (615) 355-6065  
Website [www.betterwater.com](http://www.betterwater.com)

rev. Apr 2022



Equipment changes are at the sole discretion of Better Water LLC.  
Brochure photographs and specifications may not reflect recent changes.



REA 2410